

# Roberto Sport srl

Via A. Casale 63/ A (Zona Industriale), 10010 Lessolo, TO  
ITALY  
P.I. 05961970018  
Tel. +39 0125 58848 - Fax +39 0125 58851  
[info@robertosport.it](mailto:info@robertosport.it) / [www.robertosport.it](http://www.robertosport.it) / 



## FAMILY

Thank you for choosing one of Roberto Sport's products. Our tables are famous for their quality and accuracy of their components. Roberto Sport has been producing table soccer, pool and hockey tables for more than 65 years. Huge experience and tradition, constant research and innovation have brought Roberto Sport's name as a synonym of the "**Made In Italy**" football tables all over the world.

### GENERAL WARNINGS



Unpacking and assembly operation should be carried out entirely by adults. Keep children away throughout all steps. All small parts such as bolts, screws etc., not yet assembled, and nylon bags might be swallowed or inhaled.

### CARE & MAINTENANCE



The model you just bought is for **INDOOR USE**. For this reason we suggest you to install it in sheltered environment, with low humidity degree and direct sun beam free.

In order to keep your tables performance at a high level, we suggest you clean it periodically by using a humid dust cloth. For difficult stain you may use abrasive-free detergents. For an utmost sliding rods: we suggest you get the external part of the rod lubricated (the one in touch with the bushing) along with the rod's internal part by using a silicon spray. **Roberto Sport** uses and supplies a special silicon spray studied, produced and tested for these purposes. Do not use grease; it holds the dust and might block the rod sliding. The telescopic rods assembled on this table are of a highly safe. To prevent rods bending, we recommend you do not load weight on the rods when extended.




For any problem you might have, or any info you might need, do not hesitate to visit our web site: [www.robertosport.it](http://www.robertosport.it) or contact us at: [sales@robertosport.it](mailto:sales@robertosport.it)

### WARRANTY


Roberto Sport has a two- year warranty for its products starting from the acquisition date. Warranty covers manufacture defects only; it doesn't cover damages caused by misuse or assigned to be due to wear & tear. A manufacture defect must be reported at the earliest by a written communication within two months. A written notification must be sent to the vendor. Roberto Sport is committed to restore the table with no charge on the buyer by repairing or replacing the damaged part/parts or by offering a discount.




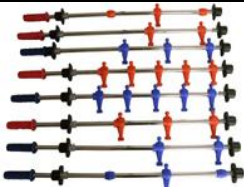
## PARTS LIST

1		Lubricant spray
10		Balls
1		Scoring unit

### *Material for assembly*

4		Wood leg
2		Wood crossbar
8		Screw 8x55 bombato
8		Metal flat 8x32
8		Flange nut d. 8mm
8		Pin D. 8
4		Screw 6x60 MA for crossbar
8		Pin D.10
4		Screw 5x35
8		Screw 4x20
2		Nr. 1 allen spanner 5mm Nr. 1 allen spanner 4mm

### *Material for rods assembly*

35		Screw 5x20
1		Set complete of rods

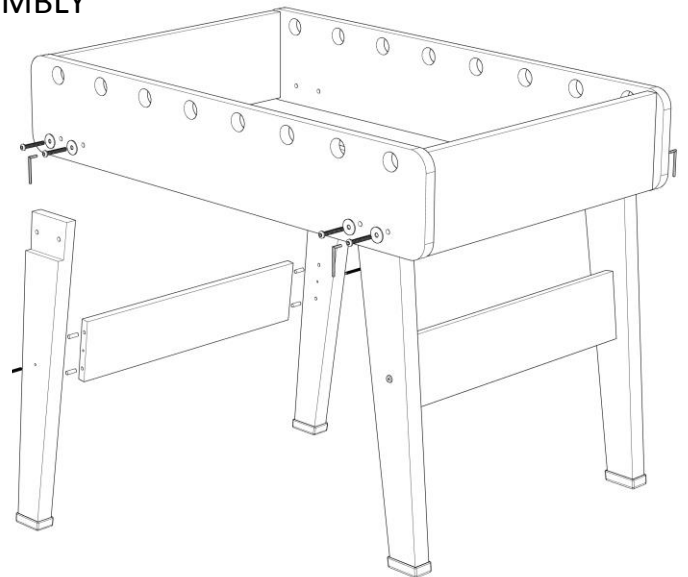
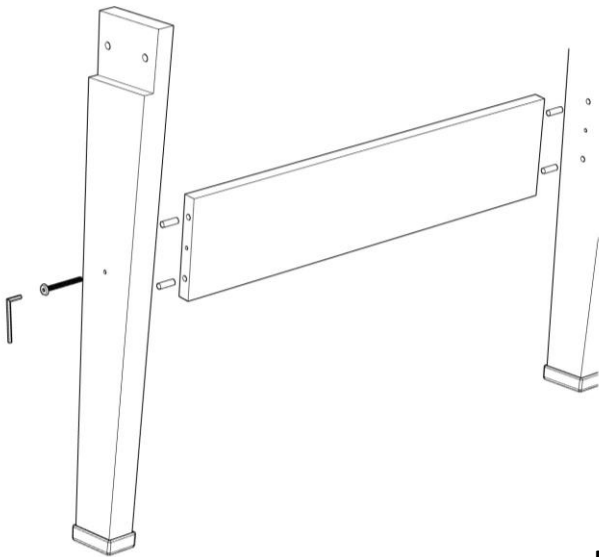
## ASSEMBLY INSTRUCTIONS

The football table is packed in a carton box with the rods and legs to be assembled. The assembly operation is very simple and needs about 30 minutes. To start please follow the below instructions.

*Please read and keep these instructions for future reference.*

### LEGS ASSEMBLY

Fix the 4 legs with the washer and using the allen spanner 5mm with the screw 8x55



Place the Pin diam.10 in the crossbar and fix the legs using the allen sparn 4mm with the screw 8x55

### RODS ASSEMBLY

1. Place the rods into the holes from the handles side
2. Set the bushing with the screw holes upward
3. Fix the bushing with the correspondent screws 5x20



## FIXING THE SCORE COUNTER



Fix the scoreboard with the correspondent screws 5x20

The table football you have purchased is manufactured entirely in Italy, following a verification procedure in all phases of manufacturing, from design to final packaging, in order to put on the market a product of the highest quality and, when used properly, compliant with safety regulations.



The soccer table is compliant with the reference directives for the product in question:

- Directive 88/378/EC
- Directive 2009/48/EC – Toy safety
- Reg. (EC) 1907-2006 of 18 December 2006, "REACH", as amended.

Produced and stocked by: Roberto Sport srl – Via A. Casale 63/a – 10010 Lessolo

### WARNINGS

**Not suitable for children less than 140 cm tall.** For children under the age of 14, the presence of an adult is nevertheless recommended to ensure its proper use. The correct use of the table football involves movement of the rods and therefore of the small men only using the handles at the ends of the rods themselves. **Do not put your hands inside the playfield.** Adults should explain to children that such behaviour during the game could result in their fingers getting crushed by the movement of the players and contraction of the springs. The ball is 34 mm in diameter, made of hard material and should absolutely not be put in the mouth or thrown against people or property to which it could cause harm.

Perform assembly properly, following the instructions, making sure to tighten all screws and bolts in order that it is impossible for children to unscrew them. For added safety, it is advisable to periodically check that they are well tightened. Any future removal or disassembly should be performed by adults. Do not use damaged table footballs or those with worn parts. Replace the same as soon as possible using original spare parts.

For any claim please mention this number:

